

# INSTRUCTIONS

▲ Keep this sheet for your records.

## Trecoder Spot Gun Operation & Maintenance

**No. 55585**  
Trecoder Spot Gun  
**No. 55625**  
Trecoder Backpack  
Tree Marking Gun

### ACCESSORIES

**No. 57653**  
Empty 1-Quart Metal Paint Can  
**No. 57650**  
Empty 1-Quart Plastic Paint Can

### PRODUCT SUPPORT

800-430-5566

If you need more information or some expert advice from an experienced professional, call our Product Support team.

### SALES

P 800-647-5368

F 800-543-4203

Our sales department will gladly take your order, update you on pricing, or fax an order form.

### ONLINE

[www.forestry-suppliers.com](http://www.forestry-suppliers.com)



### OPERATING TIPS

1. When using Trecoder Ink in your Trecoder Spot Gun, you do not have to clean your gun at the end of each day's usage. Leave the gun attached to the ink container. The spot gun will maintain its prime and will be ready for use the next day.
2. When changing colors of ink, rinse your spot gun thoroughly with mineral spirits or a similar odorless solvent paint thinner. Attach new color ink and pump a few times to clear out the cleaning solvent.
3. If your Trecoder Spot Gun is not going to be used for two or more weeks between the times it is used for marking trees, it is suggested that it be rinsed out with solvent as described above. There are no leather washers to dry out, so it is safe to store your gun after rinsing.
4. Your spot gun is capable of spotting a tree up to 15 feet away. Because of the high discharge pressure produced by the pump, it is important to depress the trigger more slowly than other spot guns now being used. Pulling the trigger too fast will cause the ink stream to break up, thereby reducing the effective range.

### MAINTENANCE TIPS

After prolonged use, the piston O-ring and piston rod O-ring may become worn and some leakage may occur. To replace these O-rings:

1. Remove all screws from the handle and trigger. The handles will now open out exposing the cylinder.
2. Remove piston rod cap, cylinder cap, and piston.
3. Remove piston rod O-ring from cylinder cap and replace with new one. Apply some lubricant to the O-ring.
4. Remove piston O-ring using a small screwdriver or other similar instrument.
5. Replace new piston O-ring carefully to prevent damage by rolling it over the bottom flange of the piston.
6. To reassemble, lubricate the piston O-ring and carefully work the piston into the cylinder using slight side motions.
7. Replace piston rod cap in cylinder cap. Do not tighten all the way – just until it's snug.
8. Replace the cap assembly in the cylinder by carefully forcing it over the piston rod. Do not use excessive force or side movements which could damage the piston rod O-ring. Once the O-ring is sliding down the piston rod, no damage can occur.
9. Screw cap assembly into cylinder. Be sure that the gasket is in good condition and in place.
10. Tighten up the cylinder cap and piston rod cap. Gun is now ready for replacing handles and trigger.

# REPLACEMENT PARTS

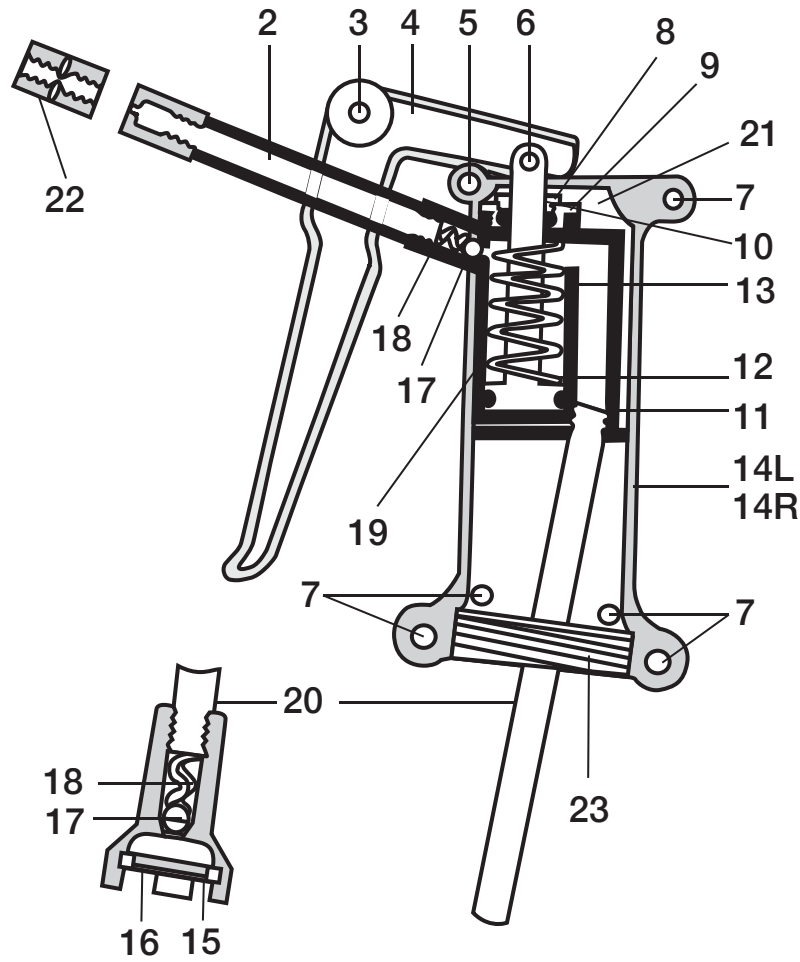


Fig.	Description	No.
2	Discharge Tube	55588
3	7/8" Trigger Pivot Bolt	55589
4	Trigger	55592
5	7/8" Handle Bolt	55593
6	3/4" Piston Rod Bolt	55594
7	5/8" Handle Bolt	55595
8	Piston Rod Cap	55596
9	Cylinder Cap	55597
10	5/16" O-Ring	55598
11	3/4" O-Ring	55599
12	Piston	55611
13	Cylinder	55612

Fig.	Description	No.
14L	Handle - Left	55613
14R	Handle - Right	55614
15	Foot Valve	55615
16	Screen	55616
17	Ball Valve	55617
18	Ball Valve Spring	55618
19	Piston Spring	55619
20	Suction Tube	55621
21	Cylinder Cap Gasket	55622
22	Reversible Nozzle	55586
23	Container Gasket	55623