



15MM SINGLE SHOT LAUNCHER - OPERATING INSTRUCTIONS

Single Shot Launcher should be used only with 15MM Screamer Siren or Bird Banger cartridges

WARNING – DANGER: For outdoor use only. Do not fire from vehicles.

TO LOAD THE LAUNCHER

- 1 Move the firing hammer to the cocked position.
- 2 For 15MM Bird Banger cartridges, insert cartridge, **FUSE END FIRST** (the end with a block dot), in the muzzle. **Do not rely on cartridge markings. Always visibly identify that the fuse end is placed in the muzzle.**

For 15MM Screamer Siren cartridges, insert cartridge, **HOLLOW END FIRST**, in the muzzle.

TO FIRE THE LAUNCHER

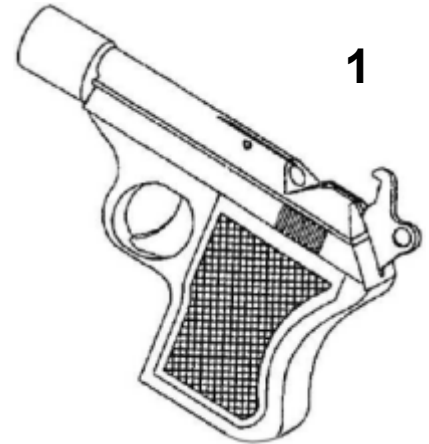
- 3 Place a 6MM blank round in the angled chamber. Raise and lower the round, securing the clip so that the round is secured in the chamber.
- 4 **WARNING - DANGER.** After 15MM cartridges are loaded in launcher, **KEEP HANDS AWAY FROM CARTRIDGES** **KEEP LAUNCHER POINTED DOWN RANGE. WARNING - DANGER.**
- 5 Hold the launcher, with the arm fully extended and up, at least a 45 degree angle, pointed towards the area to be protected, and fire.
The empty 6MM blank shell will be ejected.

SUGGESTIONS

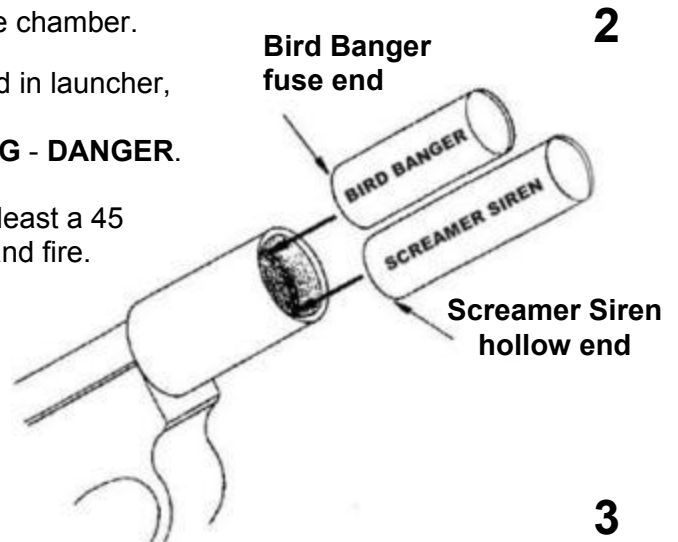
- a Launchers should be cleaned to prevent carbon build up in angles, chambers and barrels.
- b To facilitate handling, place 6mm Blank Cartridges in larger container such as a Tupperware bowl.

CAUTION WARNING - DANGER

Ear and eye protection is recommended when firing launcher.
 For bird and wildlife control only.
 Do not fire near humans, livestock, buildings, or dry fields, or other flammable materials or liquids.
 May cause fire or injuries.
 Local laws may require that you obtain a permit from your Fire Department.
 Keep the launcher and cartridges out of reach of children.
 Launchers, cartridges and blanks should be handled with extreme care.



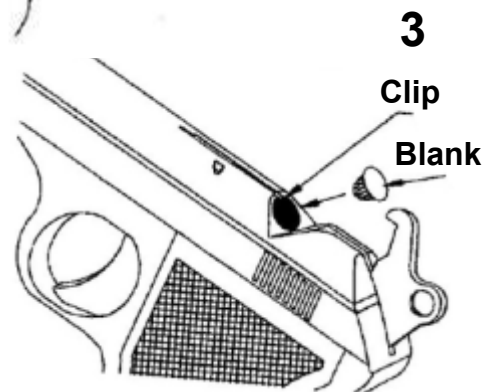
1



2

Bird Banger fuse end

Screamer Siren hollow end



3

Clip

Blank



15MM SINGLE SHOT LAUNCHER - OPERATING INSTRUCTIONS

SPECIAL INSTRUCTIONS FOR LOADING BIRD BANGER CARTRIDGES



Always load the Bird Banger cartridge with the **fuse end**
(the end with a black dot)
in muzzle.

Do not rely on cartridge markings.

Always visibly identify and confirm
that fuse end (black dot)
is placed in muzzle.

CAUTION WARNING – DANGER
CARTRIDGE MAY EXPLODE IN THE MUZZLE, IF INSERTED BACKWARDS.

