

# Instructions

▲ Keep this sheet for your records.

## Instructions for the Sure Seal Drip Torch

### No. 85022

Forestry Suppliers Sure-Seal™  
Double-Bottom Drip Torch

### No. 85066

Forestry Suppliers Sure-Seal™  
Red OSHA Drip Torch

Complies with OSHA regulations  
(29 CFR 1910.114). Also meets  
USDA Forest Service Spec 5100-  
614A.



### Tech Support

800-430-5566

If you need more information  
or would like advice from an  
experienced professional, call our  
Technical Support team.

### Sales

800-647-5368

Our sales department will gladly  
fax you an order form, update you  
on pricing, or take your order over  
the phone.

### Online

[www.forestry-suppliers.com](http://www.forestry-suppliers.com)

For credit card and open account  
orders, visit our web site to place  
your order.



### Caution

Backfiring equipment should be used  
by trained, experienced personnel  
only. Precautions should be taken  
to prevent danger to yourself and  
others. A means of escape should  
always be located before setting  
fires where rapid spread may prove  
hazardous to yourself or others.  
All petroleum products should be  
handled with the same precautions  
as when working with gasoline. Keep  
torch in good working condition,  
make sure all connections are tight,  
inspect on a regular basis and replace  
any damaged parts with original  
replacement parts only.

### Instructions for use

1. Always consult your agency's policy  
for authorized fuel mixtures based  
on your burning conditions.

Common ratios of diesel-to-gasoline  
include 5:1, 4:1, and 3:1.

**Do not use straight gasoline!**

**Explosive vapors may be released  
from these mixtures. Handle  
mixtures accordingly.**

2. Prepare for use by removing the  
locking and spout and fill the tank  
with 5 quarts of fuel. Wipe off any  
spillage on the tank surface or  
handle.
  - Remove the discharge spout  
sealing plug and screw it into the  
blind threaded socket.
  - Place the spout assembly on the  
gasket in the mouth of the tank  
with the spout exposed and screw  
the locking down securely. (Torch  
should never be operated without  
the gasket because it could cause  
some fuel to leak onto the outside  
tank and handle surfaces.)
  - Unscrew the breather valve

counterclockwise just enough to  
open, tip the torch forward, and  
let fuel trickle onto the igniter.

- Light igniter. The torch is now  
ready to be used.

**Tank should not be opened or filled  
near an open flame, hot coals, sparks  
or while smoking. The tank may  
contain dangerous vapors!**

3. To operate, hold the torch to your  
side pointing the igniter away from  
your body.
  - Gradually tilt the torch forward  
until the fuel pours over the  
burning igniter casting a flame  
along the path you are travelling.
  - To ignite hard to reach areas,  
snap your wrist upward in  
order to throw the fire greater  
distances. (If no flame carries  
with discharged fuel, reduce the  
flashpoint of fuel by increasing  
the kerosene proportion of the  
mixture.)

**Be aware of the direction of flame  
travel when personnel are nearby!**

4. Prior to storage, stand the drip  
torch upright until the igniter burns  
out and cools off.
  - After the igniter cools, remove the  
locking, return the spout to the  
inside of the tank and replace the  
locking securely.
  - Unscrew the discharge sealing  
plug from the blind threaded  
socket and return it securely to  
the spout opening.
  - Turn the air breather valve  
clockwise to close it.

**Carry and store your torch with care.**

**See back for replacement parts.**

# Replacement Parts for Sure Seal Drip Torches

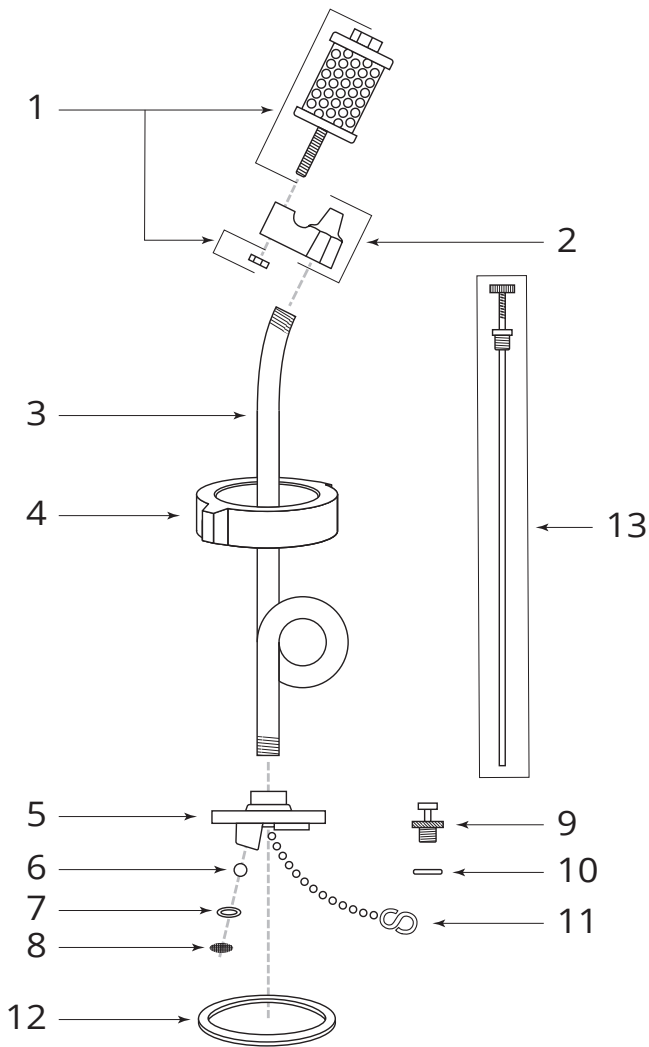


Fig.	Description	Sure-Seal
1	Igniter Assembly	85064
2	Nozzle/Igniter Mount	85063
3	Spout with Fuel Trap	85059
4	Lock Ring	85061
5	Tank Cover	85053
6	Check Valve Ball	85054
7	Check Valve Seat	85055
8	Check Valve Screen	85056
9	Discharge Plug	85057
10	O-Ring for Discharge Plug	85065
11	Discharge Plug Chain Assembly with Screw	85058
12	Tank Collar Gasket	85060
13	Breather Valve Assembly	85062