

# Instructions

▲ Keep this sheet for your records.



## Instructions for the Jim-Gem Drip Torch

### No. 85032

Jim-Gem Drip Torch

### No. 85036

Jim-Gem Red DOT Drip Torch

Meets USFS Specification 5100-614A, and D.O.T. standards to carry flammable liquids



### Tech Support

800-430-5566

If you need more information or some expert advice from an experienced professional, call our Technical Support team.

### Sales

P 800-647-5368

F 800-543-4203

Our sales department will gladly fax you an order form, update you on pricing, or take your order over the phone.

### Online

[www.forestry-suppliers.com](http://www.forestry-suppliers.com)



205 West Rankin Street  
Jackson, MS 39201



### Caution

Backfiring equipment should be used by trained, experienced personnel only. Precautions should be taken to prevent danger to yourself and others. A means of escape should always be located before setting fires where rapid spread may prove hazardous to yourself or others. All petroleum products should be handled with the same precautions as when working with gasoline. Keep torch in good working condition, make sure all connections are tight, inspect on a regular basis and replace any damaged parts with original replacement parts only.

### Instructions for use

1. Always consult your agency's policy for authorized fuel mixtures based on your burning conditions.

**Common ratios of diesel-to-gasoline include 5:1, 4:1, and 3:1.**

**Do not use straight gasoline!**

**Explosive vapors may be released from these mixtures. Handle mixtures accordingly.**

2. Prepare for use by removing the locking and spout and fill the tank with 5 quarts of fuel. Wipe off any spillage on the tank surface or handle.
  - Remove the discharge spout sealing plug and screw it into the blind threaded socket.
  - Place the spout assembly on the gasket in the mouth of the tank with the spout exposed and screw the locking down securely. (Torch should never be operated without the gasket because it could cause some fuel to leak onto the outside tank and handle surfaces.)
  - Unscrew the breather valve

counterclockwise just enough to open, tip the torch forward, and let fuel trickle onto the igniter.

- Light igniter. The torch is now ready to be used.

**Tank should not be opened or filled near an open flame, hot coals, sparks or while smoking. The tank may contain dangerous vapors!**

3. To operate, hold the torch to your side pointing the igniter away from your body.
  - Gradually tilt the torch forward until the fuel pours over the burning igniter casting a flame along the path you are travelling.
  - To ignite hard to reach areas, snap your wrist upward in order to throw the fire greater distances. (If no flame carries with discharged fuel, reduce the flashpoint of fuel by increasing the kerosene proportion of the mixture.)

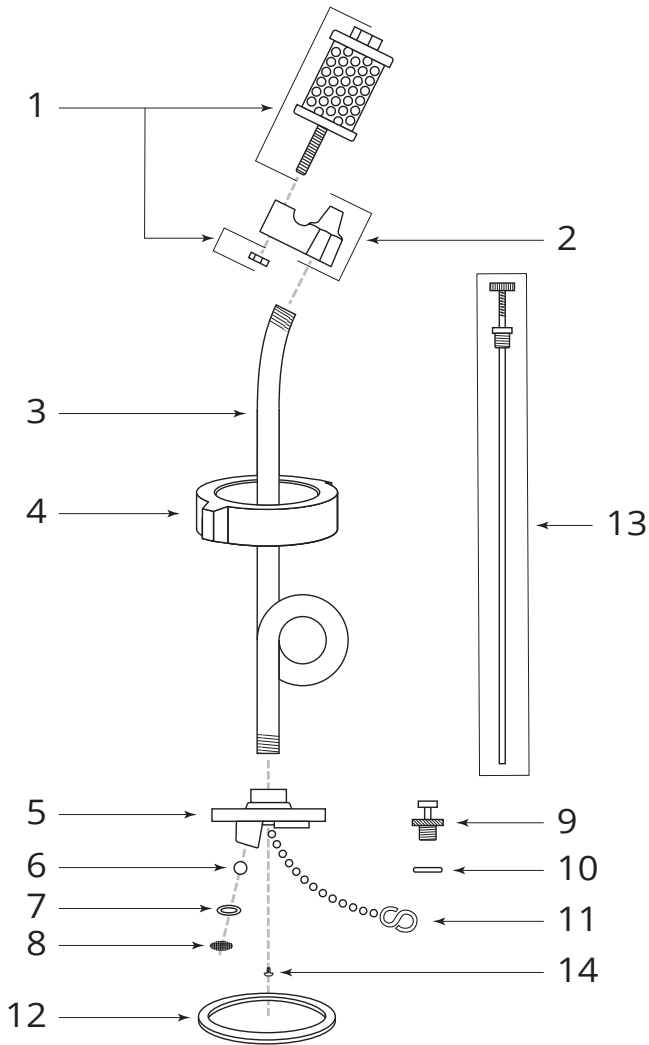
**Be aware of the direction of flame travel when personnel are nearby!**

4. Prior to storage, stand the drip torch upright until the igniter burns out and cools off.
  - After the igniter cools, remove the locking, return the spout to the inside of the tank and replace the locking securely.
  - Unscrew the discharge sealing plug from the blind threaded socket and return it securely to the spout opening.
  - Turn the air breather valve clockwise to close it.

**Carry and store your torch with care.**

**See back for replacement parts.**

# Replacement Parts for Jim-Gem Drip Torches



| Fig. | Description                   | Jim-Gem |
|------|-------------------------------|---------|
| 1    | Igniter Assembly              | 85085   |
| 2    | Nozzle/Igniter Mount          | 85084   |
| 3    | Spout with Fuel Trap          | 85080   |
| 4    | Lock Ring                     | 85082   |
| 5    | Tank Cover                    | 85073   |
| 6    | Check Valve Ball              | 85074   |
| 7    | Check Valve Seat              | 85075   |
| 8    | Check Valve Screen            | 85076   |
| 9    | Discharge Plug                | 85077   |
| 10   | O-Ring for Discharge Plug     | 85065   |
| 11   | Discharge Plug Chain Assembly | 85078   |
| 12   | Tank Collar Gasket            | 85081   |
| 13   | Breather Valve Assembly       | 85083   |
| 14   | Discharge Plug Chain Screw    | 85079   |