

Instructions

▲ Keep this sheet for your records.

Repair for Idico Tree Marking Guns

No. 55807

Idico® Duz-All™ Tree Marking Gun

No. 55579

Idico® Duz-All™ Filler-Plug Gun

If the sprayer does not start immediately try the following steps:

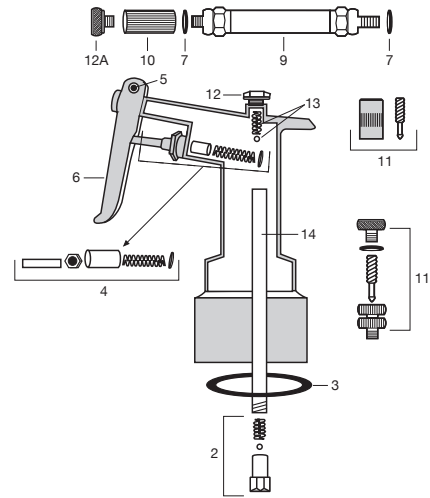
Step 1: Place your finger in front of the nozzle hole and pump until liquid reaches the outlet.

or

Step 2: Unscrew the gun 1/4 to 1/2 turn to allow air to enter. Then prime the pump by placing your finger over the nozzle while squeezing the trigger.

or

Step 3: The ball check may be lodged in the intake assembly. Try tapping the back of the casting sharply several times to dislodge the ball check. If that doesn't work, unscrew the intake housing from the suction tube (Caution: the ball check and spring may slide out unexpectedly.) and tap out the spring and ball check. Roll the ball check in 3-in-1 oil with your fingers. Replace and repeat Step 1.



	57653	Metal Quart Container for 55807
	57650	Plastic Quart Container for 55807
	2	55810 Intake Housing & Screen Assy.
	3	55815 Container Gasket for 55579
	3	55860 Container Gasket for 55807
	4	55816 Valve Assembly Unit (Complete)
	5	55822 Trigger Pin
	6	55823 Trigger
	7	55824 Washers – 1 doz. (All Connections)
	9	55826 Straight Extension
	10	55827 Pin Stream Nozzle (Reversible)
	11	55869 Fog Nozzle Unit
	12	55828 Nozzle Cap Holder w/Washer
	12A	55874 Nozzle Cap
	13	55829 Top Ball Check (Ball Bearing, Spring & Gasket)
	14	55830 Intake Tube for 55579
	14	55886 Intake Tube for 55807

Operating Instructions

- Any type of liquid (similar to water) may be used. Never use sticky or tacky solutions.
- Keep the screen at the bottom of the intake tube clean at all times.
- Should the Pin Stream Nozzle become clogged, simply reverse it on the tube and, with a few pulls of the trigger, it will clean itself out.
- For a heavy stream spray, pull the trigger slowly. For a fine mist, pull the trigger quickly.
- To use the Fog Nozzle 55869-#11, remove the Pin Stream Nozzle and attach the Fog Nozzle in its place.

Certain solutions or materials, other than water, may quickly put the sprayer out of operation. Floral waxes form a hard deposit just like cement inside the entire mechanism. Certain salt solutions used in insecticide work may form a hard deposit throughout the unit. Using these materials, as well as many others, is just like using a paint brush. Therefore, the gun must be cleaned after each use. Should the material you use put the sprayer out of operation, try placing the entire unit in a mild solution of vinegar and very hot water.

These instructions must be followed completely to assure yourself of a properly functioning unit and to receive the benefits of long, uninterrupted use.

Tech Support

800-430-5566

If you need more information or would like advice from an experienced professional, call our Technical Support team.

Sales

800-647-5368

Our sales department will gladly fax you an order form, update you on pricing, or take your order over the phone.

Online

www.forestry-suppliers.com

For credit card and open account orders, visit our web site to place your order.

