

# INSTRUCTIONS

▲ Keep this sheet for your records.

## Idico® Duz-All™ Marking Gun Repair

No. 55807

Idico® Duz-All™ Tree Marking Gun

No. 55579

Idico® Duz-All™ Filler-Plug Gun



### PRODUCT SUPPORT

800-430-5566

If you need more information or some expert advice from an experienced professional, call our Product Support team.

### SALES

P 800-647-5368

F 800-543-4203

Our sales department will gladly take your order, update you on pricing, or fax an order form.

### ONLINE

[www.forestry-suppliers.com](http://www.forestry-suppliers.com)



If the sprayer does not start immediately, try this:

1. Place your finger in front of the nozzle hole and pump until liquid reaches the outlet.  
*or*
2. Unscrew the gun 1/4 to 1/2 turn to allow air to enter. Then prime the pump by placing your finger over the nozzle while squeezing the trigger.  
*or*
3. The ball check may be lodged in the intake assembly. Try tapping the back of the casting sharply several times to dislodge the ball check. If that doesn't work, unscrew the intake housing from the suction tube (Caution: the ball check and spring may slide out unexpectedly.) and tap out the spring and ball check. Roll the ball check in 3-in-1 oil with your fingers. Replace and repeat step 1.

### OPERATING INSTRUCTIONS

1. Any type of liquid (similar to water) may be used. Never use sticky or tacky solutions.
2. Keep the screen at the bottom of the intake tube clean at all times.

3. Should the Pin Stream Nozzle become clogged, simply reverse it on the tube and, with a few pulls of the trigger, it will clean itself out.
4. For a heavy stream spray, pull the trigger slowly. For a fine mist, pull the trigger quickly.
5. To use the Fog Nozzle (Figure 11, No. 55869 – see back), remove the Pin Stream Nozzle and attach the Fog Nozzle in its place.

Certain solutions or materials, other than water, may quickly put the sprayer out of operation. Floral waxes form a hard deposit just like cement inside the entire mechanism. Certain salt solutions used in insecticide work may form a hard deposit throughout the unit. Using these materials, as well as many others, is just like using a paint brush. Therefore, the gun must be cleaned after each use. Should the material you use put the sprayer out of operation, try placing the entire unit in a mild solution of vinegar and very hot water. These instructions must be followed completely to assure yourself of a properly functioning unit and to receive the benefits of long, uninterrupted use.

# REPLACEMENT PARTS

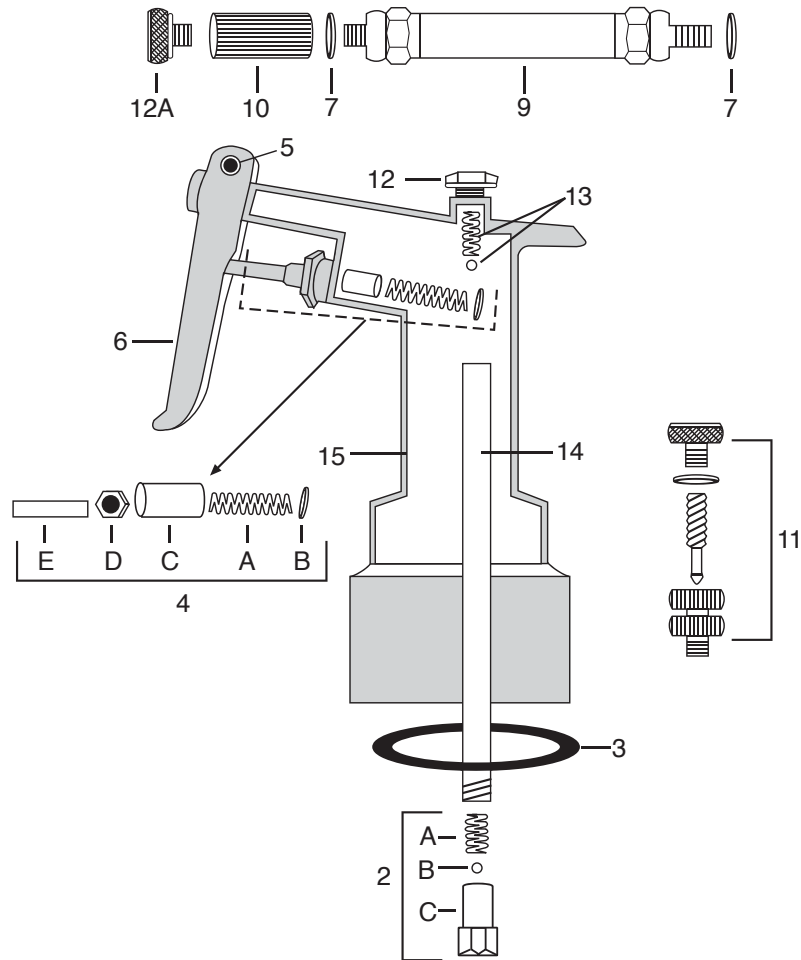


Fig.	Description	No.
	Metal Quart Container for 55807	<b>57653</b>
	Plastic Quart Container for 55807	<b>57650</b>
2	Intake Housing & Screen Assy.	<b>55810</b>
3	Container Gasket for 55579	<b>55815</b>
3	Container Gasket for 55807	<b>55860</b>
4	Valve Assembly Unit (Complete)	<b>55816</b>
5	Trigger Pin	<b>55822</b>
6	Trigger	<b>55823</b>
7	Washers - 1 doz. (All Connections)	<b>55824</b>

Fig.	Description	No.
9	Straight Extension	<b>55826</b>
10	Pin Stream Nozzle (Reversible)	<b>55827</b>
11	Fog Nozzle Unit	<b>55869</b>
12	Valve Cap	<b>55828</b>
12A	Nozzle Cap	<b>55874</b>
13	Top Ball Check (Ball Bearing, Spring & Gasket)	<b>55829</b>
14	Intake Tube for 55579	<b>55830</b>
14	Intake Tube for 55807	<b>55886</b>