

Replacement Parts for Indian Backpack Firefighting Pumps

1576

Pump parts in this diagram will also work with 85110.

Replacement Parts Diagram and list for 85700 and 85701 can be downloaded from our web site at www.forestry-suppliers.com.



#	Description	Wt.	SN	\$
1	Pump Base, Brass	5 oz.	85406	\$4.70
1	Pump Base, Stainless Steel	6 oz.	85407	\$10.65
2	Check Ball	1 oz.	85408	\$0.35
3	Hose Nipple, Brass	2 oz.	85409	\$1.75
3	Hose Nipple, Stainless Steel	2 oz.	85410	\$3.10
4	Gasket	1 oz.	85411	\$0.95
5	Pump Base Assy., Brass	6 oz.	85412	\$10.00
5	Pump Base Assy., Stainless Steel	6 oz.	85413	\$21.65
6	Guide Ring, Brass	1 oz.	85414	\$3.45
7	Pump Cylinder, Brass	14 oz.	85416	\$15.95
7	Pump Cylinder, Stainless Steel	13 oz.	85417	\$26.75
8	"U" Ring	1 oz.	85418	\$1.15
9	Gland Nut, Brass	2 oz.	85419	\$7.10
9	Gland Nut, Stainless Steel	2 oz.	85420	\$8.15
12	"O" Ring	1 oz.	85425	\$0.75
15	Check Valve Assembly, Brass	3 oz.	85428	\$9.35
16	Pump Piston Tube, Brass	8 oz.	85430	\$18.70
16	Pump Piston Tube, Chrome	8 oz.	85431	\$19.90
17	Pump Handle, Brass	6 oz.	85432	\$13.35
17	Pump Handle, Stainless Steel	7 oz.	85433	\$15.50
18	Tear Drop Ring	1 oz.	85434	\$2.35
18	Tear Drop Ring, Chrome	1 oz.	85435	\$3.15

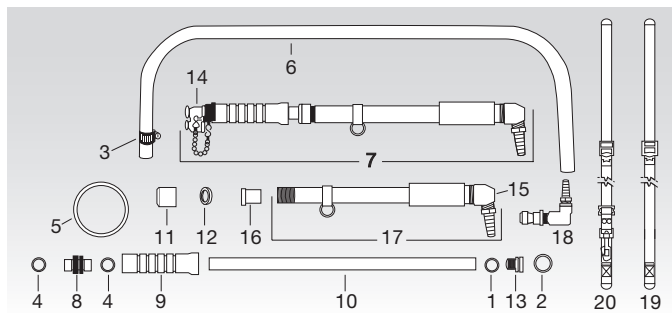
#	Description	Wt.	SN	\$
19	Nozzle Bushing, Brass	3 oz.	85436	\$4.70
19	Nozzle Bushing, Stainless Steel	3 oz.	85437	\$5.95
20	Nozzle Gasket	1 oz.	85438	\$0.95
21	Dual Nozzle, Brass	3 oz.	85439	\$7.50
21	Dual Nozzle, Stainless Steel	3 oz.	85440	\$14.75
22	Split Ring	1 oz.	85441	\$0.50
22	Split Ring, Chrome	1 oz.	85442	\$0.75
23	Beaded Chain for Nozzle	1 oz.	85443	\$2.75
23	Beaded Chain for Nozzle, Chrome	1 oz.	85444	\$3.85
24	Tank Cap Assembly, Galvanized	5 oz.	85445	\$8.30
24	Tank Cap Assy., Stainless Steel	5 oz.	85446	\$10.50
25	Tank Cap Gasket	1 oz.	85447	\$1.50
26	Tank Cap Chain	1 oz.	85448	\$4.40
27	Fill Strainer	3 oz.	85449	\$7.10
28	30" Hose w/out Clamp	9 oz.	85450	\$4.50
29	Hose Clamp	1 oz.	13528	\$0.75
31	Carrying Strap w/snap	4 oz.	85146	\$8.95
32	Carrying Strap w/out snap	3 oz.	85145	\$7.50
33	Brass Pump, complete	2.5 lbs.	85404	\$88.25
33	Chrome Plated Stainless Steel Pump, complete	2.5 lbs.	85405	\$106.00
35	Carrying Rack w/strap	3.25 lbs.	85460	\$34.90
	Strap Assembly, holds pump in rack	7 oz.	85459	\$19.20

Replacement Parts for the Indian Fedco Collapsible Backpack Firefighting Pump

2318

Pump parts in this diagram will also work on 85120.

Replacement Parts Diagram and list for 85130 can be downloaded from our web site at www.forestry-suppliers.com.



#	Description	Wt.	SN	\$
1	"O" Ring	1 oz.	85128	\$0.50
2	"O" Ring	1 oz.	85129	\$0.65
3	Hose Clamp	1 oz.	13528	\$0.95
4	Nozzle Gasket	1 oz.	85438	\$1.35
5	Cap for 85147 Bag	5 oz.	85131	\$8.50
6	3/8" Hose only, less fittings	9 oz.	85132	\$10.00
7	Slide Pump, complete with Twin Nozzle	2 lbs.	85133	\$56.00
8	Nozzle Adapter	2 oz.	85134	\$5.95
9	Hand Grip	7 oz.	85135	\$15.95
10	Inner Pump Cylinder	8 oz.	85136	\$19.25

#	Description	Wt.	SN	\$
11	Cap Nut	1 oz.	85137	\$5.50
12	Felt Wiping Ring	1 oz.	85138	\$0.60
13	Piston Assembly	1 oz.	85139	\$3.25
14	Twin Nozzle with Chain and Ring	4 oz.	85140	\$10.50
15	Foot Valve Assembly	4 oz.	85141	\$12.95
16	Nylon Bushing	1 oz.	85142	\$2.50
17	Outer Cylinder Assembly	14 oz.	85143	\$26.90
18	Hose Connector	3 oz.	85144	\$11.65
19	Carrying Strap	3 oz.	85145	\$7.50
20	Carrying Strap with Carrying Snap Bag with Carrying Handle Only	4 oz. / 2.5 lbs.	85146 / 85147	\$8.95 / \$69.00

Hi-Combat Class A Fire Fighting Foam page 139



Thermo-Gel® page 141



Phos-Chek® WD 881 Fire Fighting Foam Concentrate

Class A

Quickly and effectively extinguishes structural, wildland, and industrial Class A type fires. By increasing the ability of water to penetrate deep-seated fuels, Phos-Chek WD 881 shortens the time firefighters are exposed to blazes, lessens property damage, and reduces total systems costs. Plus, Phos-Chek Class A foam concentrate does not have a flash point. Phos-Chek WD 881 meets three critical industry qualifications including approval by the USDA Forest Service for all methods of application including use in fixed tank helicopters, UL listing as a wetting agent at a low 0.25% use rate, and the absence of any EPA listed hazardous materials. Phos-Chek WD 881 is also readily biodegradable to ensure environmental safety. **Storage Temperature:** -50°F to 122°F (-46°C to 50°C). **Freeze Point:** 5°F (-15°C). Choose from a 5-Gallon container or a case of 36-4 oz. bottles convenient for use in backpack pumps.

5-Gallon Bucket		
40 lbs.	85422	\$82.95
	5+	\$72.35
	20+	\$68.95
	48+	\$66.70

Case of 36, 4 oz. Bottles (for backpack pumps)
11.75 lbs. **85522** **\$79.00**

R Restricted. Cannot be sold to Japan, Korea, or Australia.