



Replacement Parts for Solo™ Models 456, 457 and 430 Series

1879

Parts for Solo 430 Series

Ref.	Description	Weight	SN	\$
1	Pressure Relief Valve	1 oz.	13055	\$3.95
2	Tank Cap	6 oz.	13056	\$4.95
3	Pump Cylinder	4 oz.	13057	\$5.95
4	Pump Ring (2 pieces)	2 oz.	13058	\$2.00
5	Pump Piston	3 oz.	13059	\$6.50
6	Screw Cap	1 oz.	13060	\$2.20
8	Tube	1 oz.	13061	\$1.15
9	Hose Assembly	3 oz.	13062	\$4.00
21	Slide	1 oz.	13063	\$0.50
22	Carrying Strap	2 oz.	13064	\$4.80
7*	O-Ring	1 oz.	13065	\$0.40
*	Repair Kit for 430	4 oz.	13066	\$4.95

*Included in Repair Kit.

Parts for Solo 450 Series

Ref.	Description	Weight	SN	\$
2	Pressure Relief Valve Assembly	1 oz.	13446	\$5.95
3	O-Ring	1 oz.	13447	\$0.75
4	O-Ring	1 oz.	13118	\$0.75
5	Carry Strap	2 oz.	13448	\$10.35
6	Pump Piston	7 oz.	13449	\$3.45
7	O-Ring	1 oz.	13555	\$0.75
8	Plug	1 oz.	13554	\$1.75
10	Tank Lid	5 oz.	13556	\$9.35
11	Cylinder Support	5 oz.	13557	\$4.10
12	Cylinder	10 oz.	13624	\$9.25
13	Gasket	1 oz.	13559	\$3.35
16	Universal Pressure Hose Assembly	4 oz.	13564	\$8.40
19	O-Ring	1 oz.	13565	\$0.75
23	Umbrella Valve	1 oz.	13625	\$1.75
46	Inflation Valve for 457V	2 oz.	13577	\$2.50
	Pump Repair Kit – (includes #3, 4, 7, 9, 13, 19, and 23)	2 oz.	13567	\$5.95

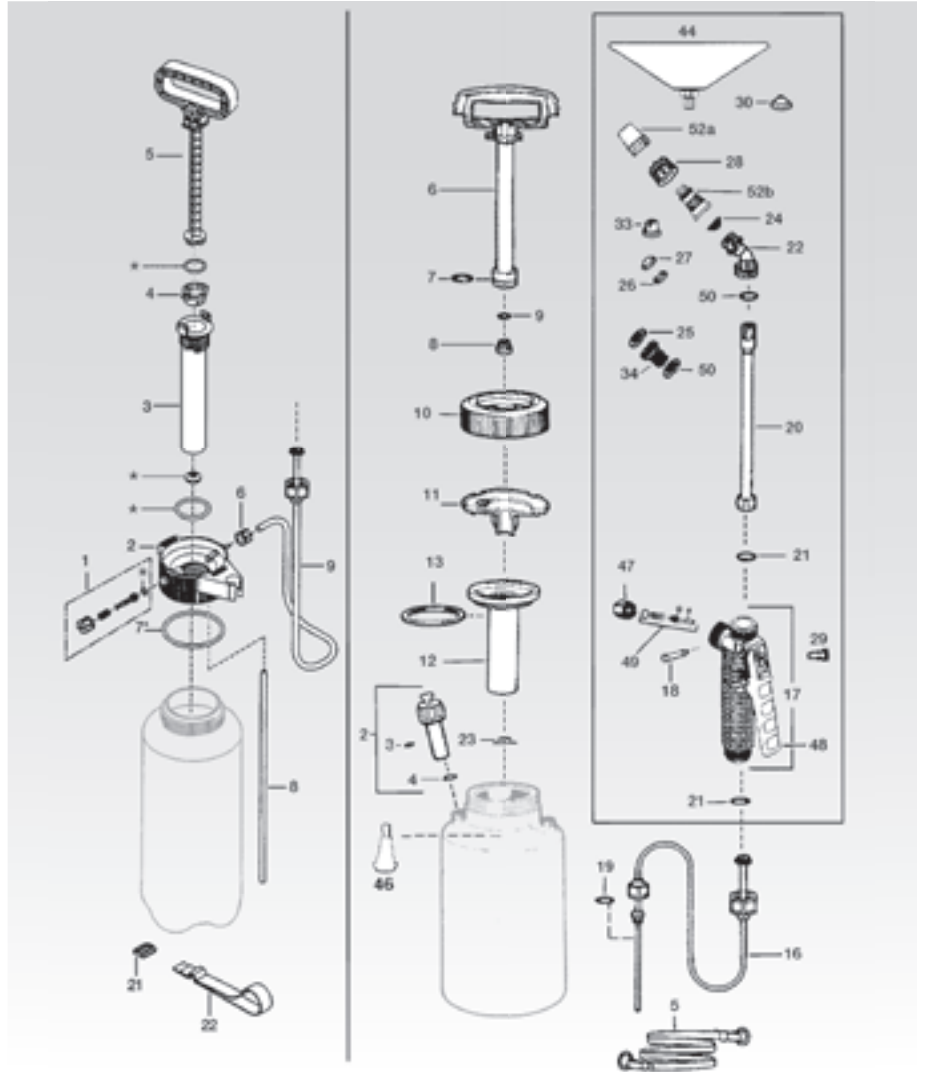
Parts for Solo 430 Series and 450 Series

Ref.	Description	Weight	SN	\$
17	Shut-Off Valve Assembly	3 oz.	13417	\$14.85
18	Plastic Pin	1 oz.	13431	\$1.25
20	20" Spray Wand	2 oz.	13155	\$9.95
21	O-Ring	1 oz.	13118	\$0.75
22	Elbow	1 oz.	13143	\$3.25
24	Jet Filter Element	1 oz.	13140	\$0.40
25	O-Ring	1 oz.	13101	\$0.75
26	Swirl Plate	1 oz.	13139	\$1.25
27	Jet Cap Tip	1 oz.	13566	\$1.25
28	Retaining Nut	1 oz.	13131	\$1.50
29	Lock Clip	1 oz.	13437	\$0.50
47	Retaining Nut	1 oz.	13442	\$1.85
48	Lever	1 oz.	13432	\$3.10
49	Shut-Off Valve Repair Kit	1 oz.	13408	\$4.95
50	O-Ring	1 oz.	13119	\$0.75
52	Plastic Adjustable Nozzle Assembly	1 oz.	13039	\$4.25

Solo 430 Series

Solo 450 Series

Both 430 and 450



Accessories

Ref.	Description	Weight	SN	\$
30	Hollow Cone Nozzle Tip	1 oz.	13568	\$0.75
33	Flat Spray Jet	1 oz.	13280	\$2.00
34	Check Valve	1 oz.	13427	\$3.25
37	60" Brass Replacement Wand	9 oz.	13096	\$23.25
39	20" Extension Tube	2 oz.	13190	\$8.95
44	Drift Guard Assembly	5 oz.	13170	\$12.80

Replacement Parts for D.B. Smith Max™ Sprayer

1877

Ref.	Description	Weight	SN	\$
1	Hose Clamp	1 oz.	13528	\$0.75
2	Hose Assembly 56" (with #11 handle)	9 oz.	13529	\$11.50
6	24" Brass Curved Extension	3 oz.	13534	\$4.50
7	16" Brass Curved Extension	3 oz.	13535	\$4.40
8	Valve Seat	1 oz.	13536	\$0.75
9	Shutoff Assembly	2 oz.	13537	\$4.75
10	Filter	1 oz.	13538	\$1.00
11	Handle Only	1 oz.	13539	\$0.75
12	Flat Fan Nozzle Only	1 oz.	13540	\$2.75
13	O-Ring	1 oz.	13541	\$0.75
14	Cap Nut	1 oz.	13542	\$0.75

Ref.	Description	Weight	SN	\$
15	Fan Spray Nozzle Assembly	1 oz.	13381	\$3.50
16	Adj. Brass Nozzle Assembly	2 oz.	13551	\$2.75
17	Cylinder Cover Screws, 2 Req.	1 oz.	13581	\$0.50
18	Piston Assembly	1 oz.	13582	\$1.10
19	Pump Cylinder	6 oz.	13583	\$2.50
20	Cylinder Gasket	1 oz.	13584	\$2.50
21	Check Valve	1 oz.	13585	\$0.75
22	Cylinder Cover	1 oz.	13586	\$2.45
23	Spring Pump Rod	1 oz.	13587	\$0.75
24	Handle Only	2 oz.	13588	\$2.55
25	Hose Guard Spring	1 oz.	13589	\$2.15
26	Pressure Relief Valve	1 oz.	13573	\$2.25

