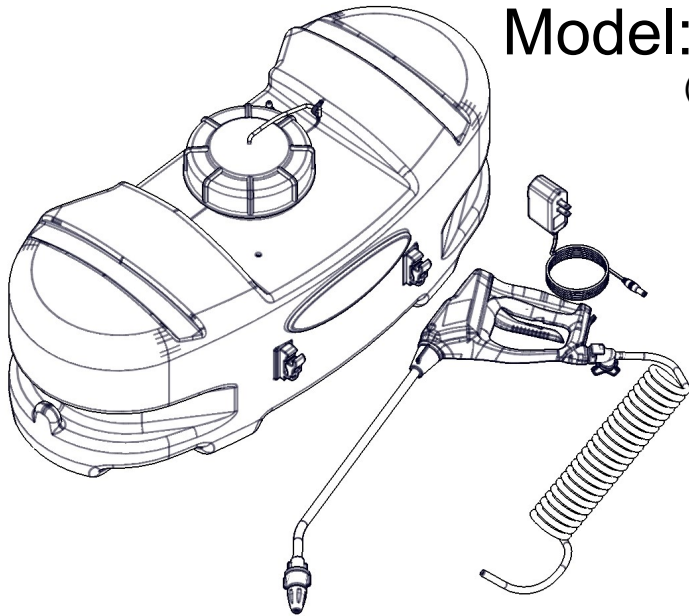


OWNER'S MANUAL

Model: LG-10-EC-LI (5302315)
(10 Gallon Lithium Ion Spot Sprayer)



Technical Specifications

- 10 Gal. Corrosion-Resistant Polyethylene Tank
- 3.6V Lithium Ion Handgun
- Continuous Use Over 1 Hour
- 2.5 Hour Recharge Time
- Coiled Handgun Hose
- 8' Vertical Spray & 15' Horizontal Spray
- Ready for Roundup®

Caution: Weight of this sprayer is approx.: 100 lbs. when the tank is full.

Assembly

This unit is mostly assembled at the factory. You may need to attach the barrel portion of the handgun onto the trigger assembly, as this may be disassembled to fit into the box. Also assembly of the wand clips can be found on page 3 of this manual.

Operation

Fill the container with solution (water and chemical) then stir to mix. Mixing can also be done by sticking the handgun nozzle into the container and spray into the solution.

****Always test your sprayer with water first, prior to using chemicals.****

After spraying, rinse and clean the equipment both inside and out. Flush the pumping system with water.

After Spraying & Winter Storage

After use, fill the sprayer tank part way with water. Start the sprayer and allow the clear water to be pumped through the plumbing system and out through the spray wand. Refill the tank about half full with plain water and use FIMCO Tank Neutralizer and Cleaner and repeat cleaning instructions above. Flush the entire sprayer with neutralizing/cleaning agent, then flush out one more time with plain water. Follow the chemical manufacturer's disposal instructions of all wash or rinsing water.

WARNING: Some chemicals will damage the plumbing components if allowed to soak untreated for a length of time! ALWAYS flush the system as instructed after each use.

Drain all water out of your sprayer. Store in a place where temperatures will not be in the freezing range. Proper care and maintenance will prolong the life of your sprayer.



www.fimcoindustries.com

1000 FIMCO Lane, P.O. Box 1700, North Sioux City, SD 57049
Toll Free Phone: 800-831-0027 : Toll Free Fax: 800-494-0440
[5008437 (02/15)]

BEFORE RETURNING THIS PRODUCT
FOR ANY REASON, PLEASE CALL

1-800-831-0027

IF YOU SHOULD HAVE A QUESTION OR
EXPERIENCE A PROBLEM WITH YOUR
FIMCO INDUSTRIES PRODUCT:

1-800-831-0027

BEFORE YOU CALL, PLEASE HAVE THE
FOLLOWING INFORMATION AVAILABLE:
SALES RECEIPT & MODEL NUMBER. IN MOST
CASES, A FIMCO INDUSTRIES EMPLOYEE CAN
RESOLVE THE PROBLEM OVER THE PHONE.

General Information

Thank you for purchasing this product. The purpose of this manual is to assist you in operating and maintaining your lawn & garden spot sprayer. Please read it carefully, as it furnishes information which will help you achieve years of trouble-free operation.

Warranty

Products are warranted for one year from date of purchase against manufacturer or workmanship defects for home owner usage and 90 days for commercial usage.

For technical assistance, visit our website @ www.fimcoindustries.com
or call: TOLL FREE @ 1-800-831-0027

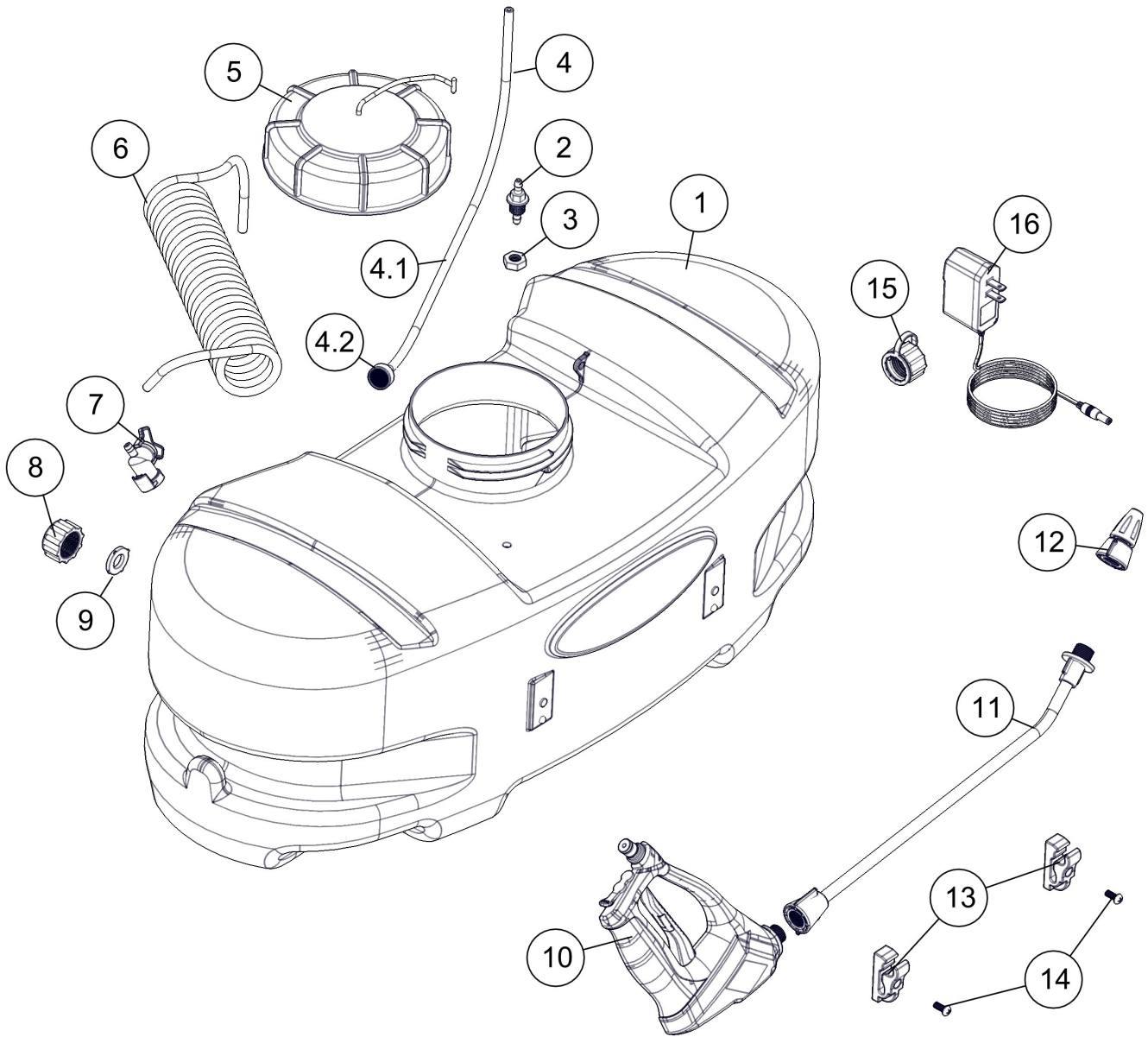
Our Technical Support Representatives will be happy to help you.

To obtain prompt, efficient service, always remember to give the following information...

- Correct Part Description and/or part number
- Model #/Serial # of your sprayer

Part descriptions and numbers can be obtained from the illustrated parts list section(s) of this manual.

Exploded View/Parts List: LG-10-EC-LI (5302315)



Ref. #	Part #	Description	Qty
1	5169240	10 Gallon Tank - White	1
2	5005288	3/16" X 3/16" Barbed Bulkhead Adapter	1
3	5006372	1/4"-18 NPSF Bulkhead Nut	1
4	5278236	Pick-Up Hose Assembly	1
4.1	5020560	Pick Up Hose	1
4.2	5116449	Strainer Weight Screen	2
5	5058188	Tank Lid w/Lanyard	1
6	5020559	Coiled Handgun Hose	1
7	5143444	Quick Connect Shut Off	1
8	5046375	Poly Knurled Threaded Cap, (3/4" FGHT)	1
9	5016066	Garden Hose Washer	1
10	5163127	Handgun 3.6V Lithium Gear Pump	1
11	5100819	Removable Wand	1
12	5278244	Removable Nozzle Assembly	1
13	5053112	Deluxe Handgun Clips	2
14	5117334	#10-24 x 1/2" Machine Screw	2
15	5274373	Drain Plug Cap, Tether & Washer Assembly	1
16	5157239	3.6V Charger	1

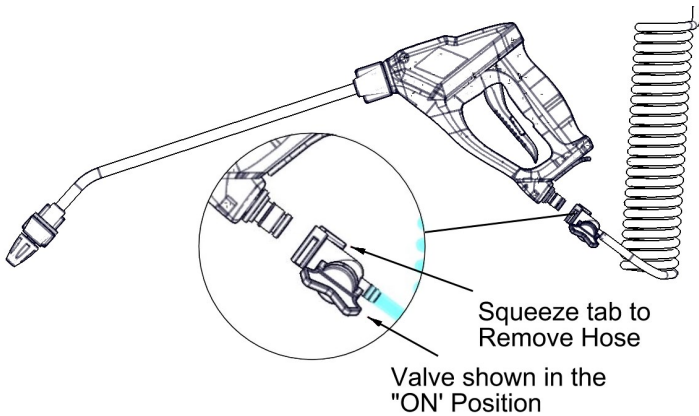
Spray Wand Charging

Charge the spray wand before using the sprayer. The charging light at the base of the spray wand will remain 'RED' as the spray wand is charging. When it is fully charged, the red light will turn off.

Charging may be done as follows...

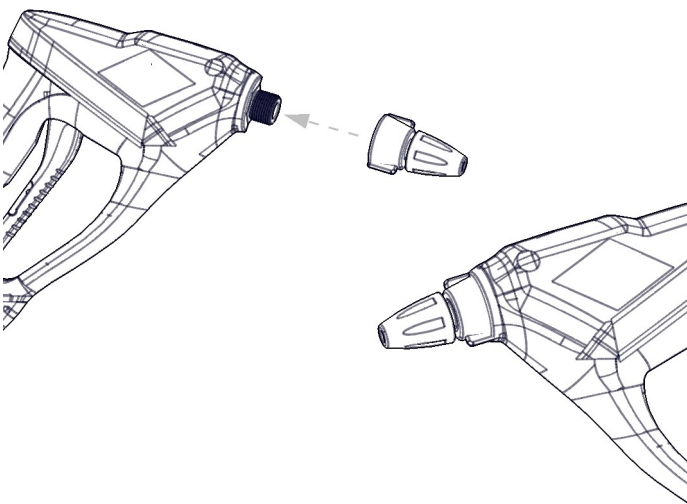
1. Lightly pull and rotate/pivot the rubber cover, which covers (protects) the charging jack and also lets you view the charging light. This is located at the base of the spray wand.
2. Insert the male charging plug into the female jack at the base of the spray wand.
3. Plug the charger into a 110 Volt AC electric receptacle.
4. Disconnect the plug from the jack and the charger from the electrical outlet when the charging operations complete. The red light will go off when it is fully charged.
5. Rotate and re-plug in the rubber cover over the charging jack. This will prevent dirt or dust from getting inside the receptacle.

Approx. recharge time is 2.5 hours and will give you over 1 hour of continuous use.

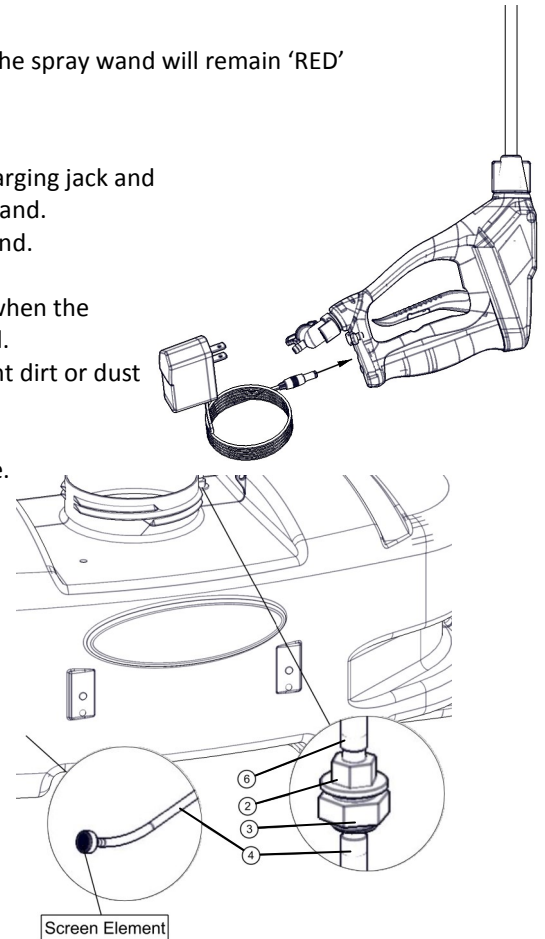


Hose Connection to Spray Wand

The coiled hose connects to the spray wand at the on/off valve end of the hose. Simply push the end of the connector onto the fitting at the base of the spray wand. It should 'click' or 'snap' into place and remain there. To remove the hose from the wand, squeeze the 'rounded' tab inward and carefully pull the fitting off the spray wand.

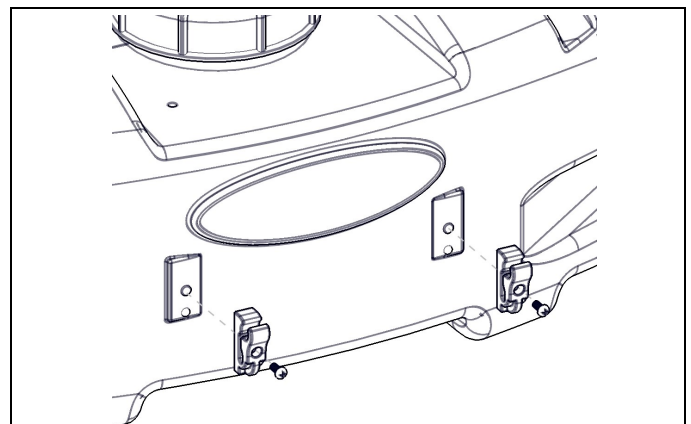


This Handgun is designed to be versatile, it can be either used with the wand extension or without.



Make sure the screen end of the intake tube assembly is draped along the bottom surface of the inside of the tank for optimal suction.

Ref. Numbers refer to the parts chart on the previous page.



This unit is mostly assembled at the factory. The only thing left to assemble are the spray wand clips to the tank. Locate the (2) clips (5278348) and (2) phillips head screws (5117334) from the parts bag.

Place a screw through the hole in the clip and bring it up to the tank, where the embossments for the clips are. Secure the clip to the tank. Tighten so that the clips are secure.

***Do Not Over-tighten

The spray wand will snap into the clips once installed. Do not use excessive force when placing the spray wand into the clips, as this could cause the clips to break.