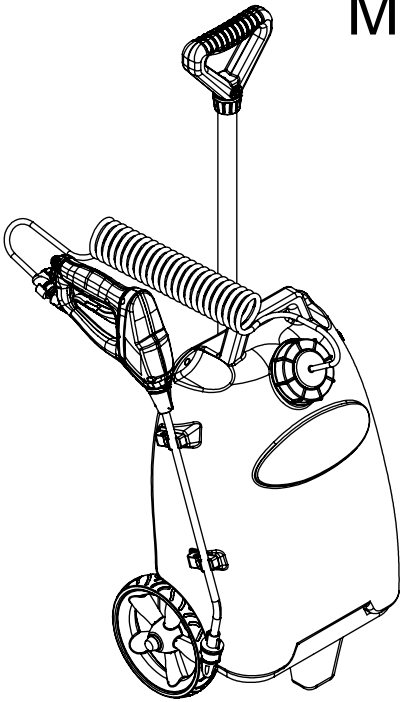


OWNER'S MANUAL

Model: LG-4-3-1 (5302314)

(4 Gallon, 3.6V, Spot Sprayer)



BEFORE RETURNING THIS PRODUCT
FOR ANY REASON, PLEASE CALL

1-800-831-0027

IF YOU SHOULD HAVE A QUESTION OR
EXPERIENCE A PROBLEM WITH YOUR
FIMCO INDUSTRIES PRODUCT:

1-800-831-0027

BEFORE YOU CALL, PLEASE HAVE THE
FOLLOWING INFORMATION AVAILABLE:
SALES RECEIPT & MODEL NUMBER. IN MOST
CASES, A FIMCO INDUSTRIES EMPLOYEE CAN
RESOLVE THE PROBLEM OVER THE PHONE.

Warranty/Parts/Service

For home usage, products are warranted for one year from date of purchase against manufacturer or workmanship defects.

Commercial users have a 90 day warranty.

Part descriptions and part numbers can be obtained from the illustrated parts list section of this manual.

General Information

Thank you for purchasing this product. The purpose of this manual is to assist you in operating and maintaining your sprayer. Please read it carefully, as it furnishes information which will help you achieve years of trouble-free operation.

Technical Specifications

- 4 Gallon, Corrosion-Resistant Polyethylene Tank
- Rechargeable Handgun
- Removable base for Handheld spraying
- Ergonomic Back Pack Straps for back pack spraying
- 6 3/4" Wheels with high ground clearance
- **Unit height with base = 39"**
- **Tank height with out base = 19"**
- **15' Horizontal Spray Distance**
- **8' Vertical Spray Distance**

Assembly

This unit is mostly assembled at the factory. You will need a #2 Philips screw driver to complete final assembly. Reference page 2 for assembly instructions

Operation

****Always test your sprayer with water first, prior to using chemicals.****

Fill the container with solution (water and chemical) then stir to mix. Mixing can also be done by sticking the handgun nozzle into the container and spray into the solution. After spraying, rinse and clean the equipment both inside and out. Flush the pumping system with water.

After Spraying

After use, fill the sprayer tank part way with water. Start the sprayer, and allow the clear water to be pumped through the plumbing system and out through the spray wand. Refill the tank about half full with plain water and use FIMCO Tank Neutralizer and Cleaner, and repeat cleaning instructions above. Flush the entire sprayer with the neutralizing/cleaning agent, then flush out one more time with plain water. Follow the chemical manufacturer's disposal instructions of all wash or rinsing water.

WARNING: Some chemicals will damage the plumbing components if allowed to soak untreated for a length of time! ALWAYS flush the system as instructed after each use.

Winter Storage

Drain all water out of your sprayer. Store in a place where temperatures will not be in the freezing range. Charge the battery before winter storage. If the sprayer will be stored in a place where temperatures will be below freezing, the sprayer should be winterized. Winterize the sprayer by pumping a solution of RV antifreeze through the handgun. The antifreeze solution should remain in the plumbing system through the winter months. When spring time comes and you are preparing your sprayer for the spray season, rinse the entire plumbing system out, clearing the lines of the antifreeze solution.

Proper care and maintenance will prolong the life of your sprayer.



www.fimcoindustries.com

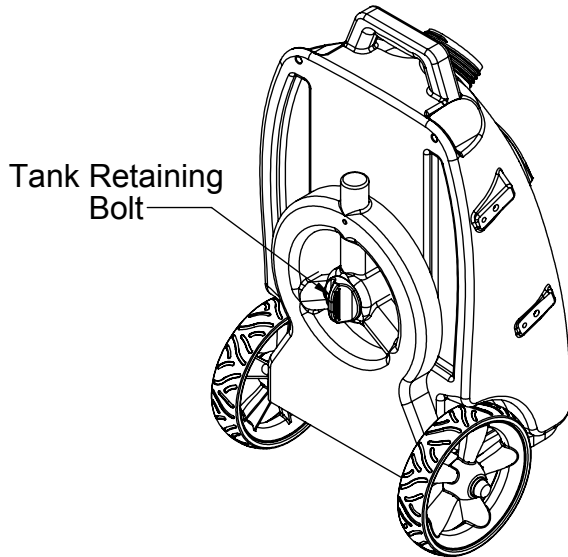
1000 FIMCO Lane, P.O. Box 1700, North Sioux City, SD 57049
Toll Free Phone: 800-831-0027 : Toll Free Fax: 800-494-0440

[Owner's Manual Number: 5008438 (01/15)]

Assembly Instructions

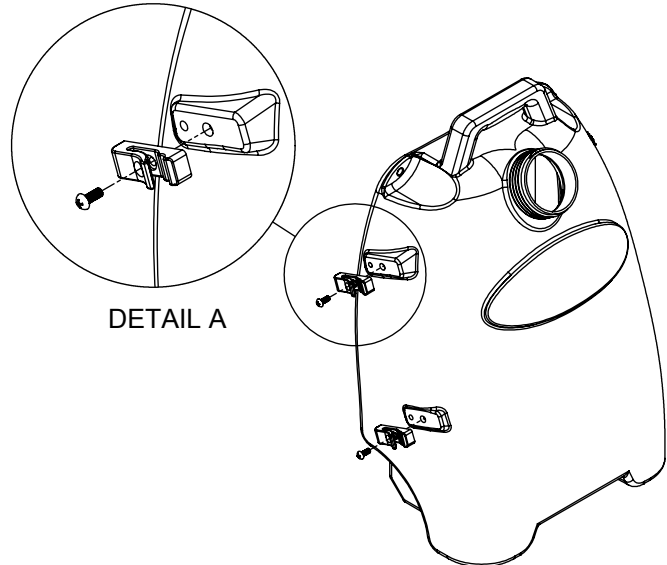
Step 1

Unscrew Tank Retaining Bolt from tank, do not remove from black base.



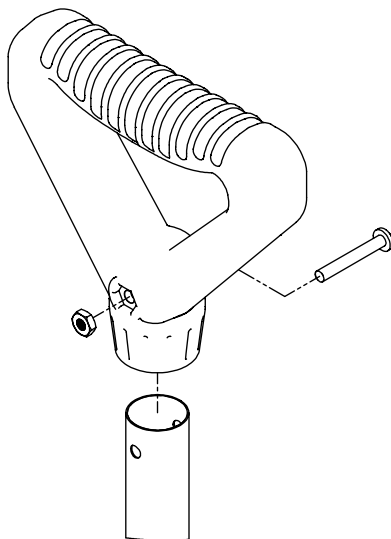
Step 2

Install qty. (2) wand clips with qty. (2) #10-24 x 1/2" long screws with a #2 Phillips screw driver.



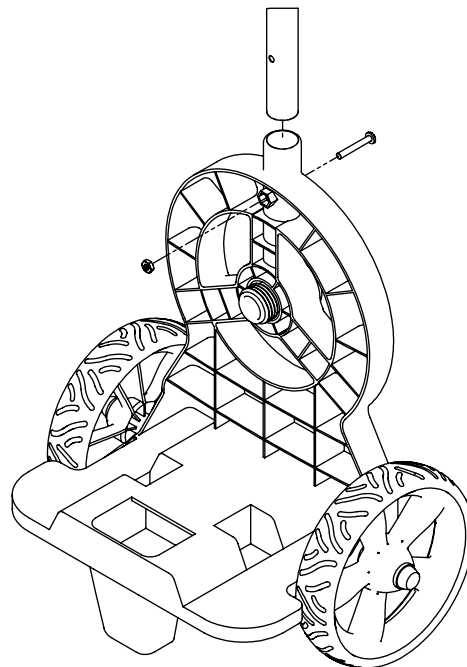
Step 3

Push handle onto handle tube and align holes. Insert qty. (1) #10-24 hex nut into hex recess in handle. Insert qty. (1) #10-24 x 1 3/8" screw through handle and tube. Tighten with #2 Phillips screw driver.



Step 4

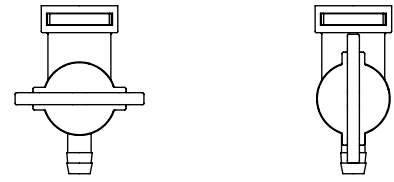
Push handle tube into base and align holes. Insert qty. (1) #10-24 hex nut into hex recess in base. Insert qty. (1) #10-24 x 1 3/8" screw through handle tube and base. Tighten with #2 Phillips screw driver.



Handgun Charging

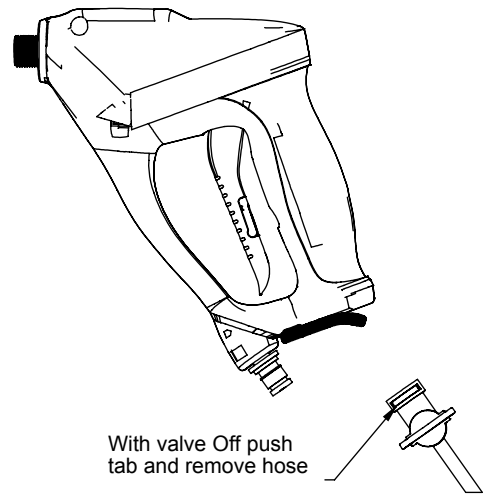
1. Follow the 'After Spraying' & 'Winter Storage' instructions to clean the tank and handgun plumbing.
2. Turn Shut Off Valve to the Off position.
3. Disconnect hose from handgun by pressing the release button.
4. Pump remaining clean water out of handgun.
5. Lightly pull and rotate the rubber cover, revealing the charging jack and charging indicator light. This is located at the base of the handgun.
6. Plug the charger into a 110 Volt AC electrical receptacle.
7. Insert the male charging plug into the female jack at the base of the spray wand. The light will turn red, indicating charging has begun. **(If the red light blinks an incorrect voltage charger is being used. Disconnect the charger immediately.)**
8. The light will turn green when charging is complete. Disconnect the plug from the handgun and the charger from the electrical receptacle.
9. Rotate and re-plug in the rubber cover over the charging jack. This will prevent dirt or dust from getting inside the receptacle.

Note: The battery is hardwired into the handgun. In the event the battery no longer holds a charge, purchase handgun #5163127.

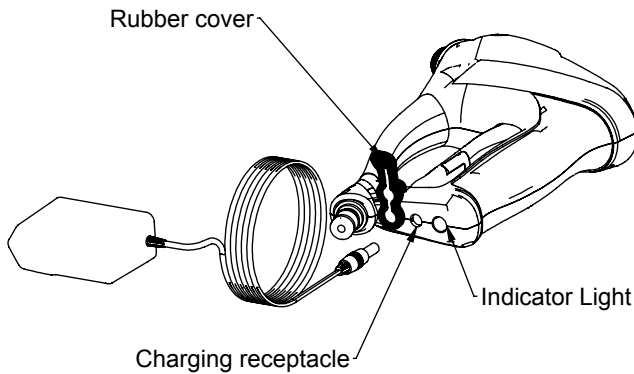


Off Position

On Position



With valve Off push tab and remove hose



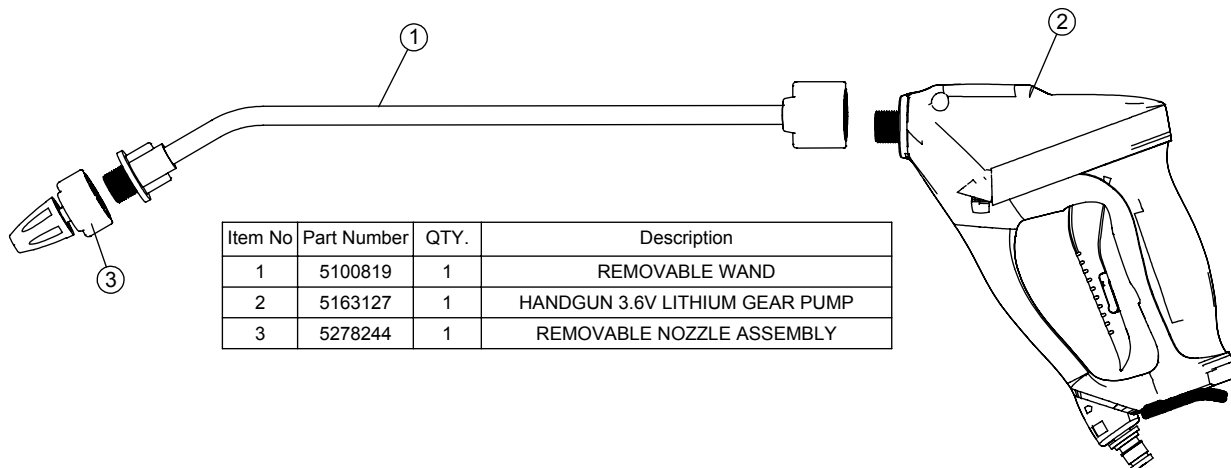
Rubber cover

Indicator Light

Charging receptacle

Handgun Wand and Nozzle Options

The Removable Nozzle Assembly can be installed on the Removable Wand to spray closer to the desired location. The Removable Nozzle Assembly can be installed directly on the Handgun for more compact spraying.

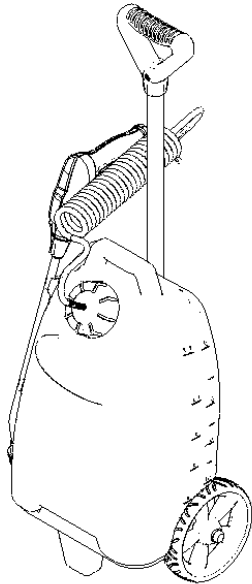


Item No	Part Number	QTY.	Description
1	5100819	1	REMOVABLE WAND
2	5163127	1	HANDGUN 3.6V LITHIUM GEAR PUMP
3	5278244	1	REMOVABLE NOZZLE ASSEMBLY

Sprayer Conversion

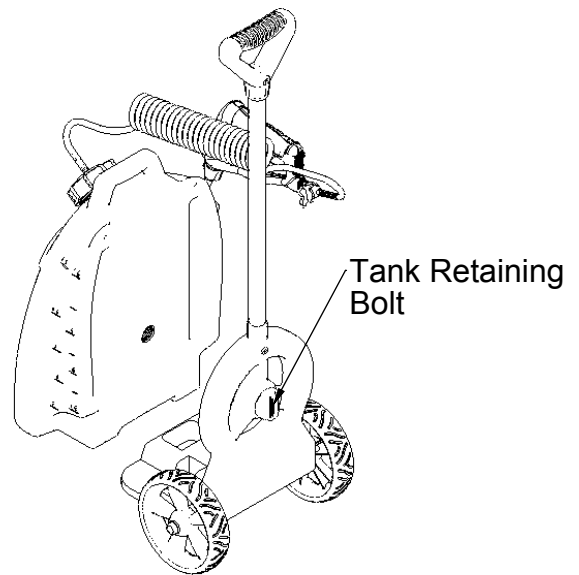
Wheeled Dolly Sprayer

When the tank is attached to the base the unit is ready to spray as a Wheeled Dolly Sprayer. The tank easily pulls behind you without having to carry the weight. Works best with finished lawns.



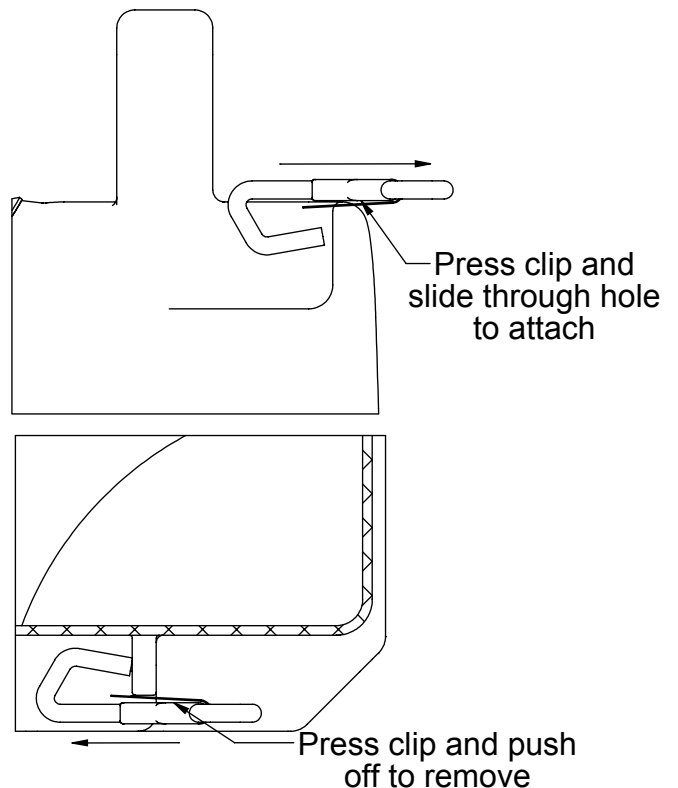
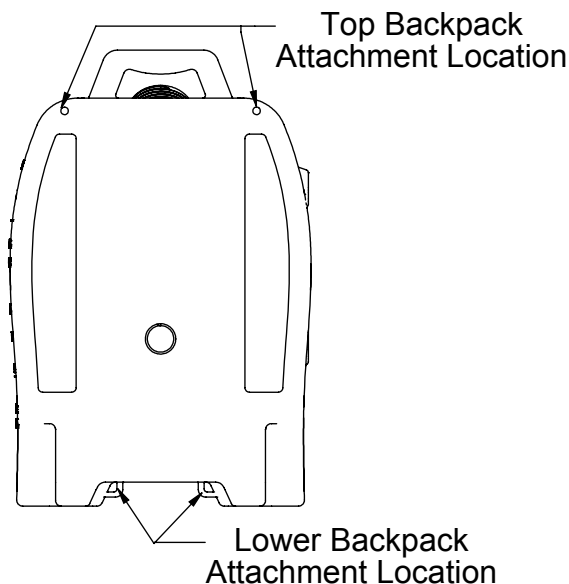
Handheld Sprayer

To convert the sprayer to a Handheld Sprayer, turn the tank retaining bolt counter clockwise until the tank is loose. To reattach the tank, set the tank on the base and turn the tank retaining bolt clockwise. The tank retaining bolt will remain attached to the base. When the tank is removed from the base the tank is easily carried by hand. Works best for light spraying on uneven ground or in between landscaping.

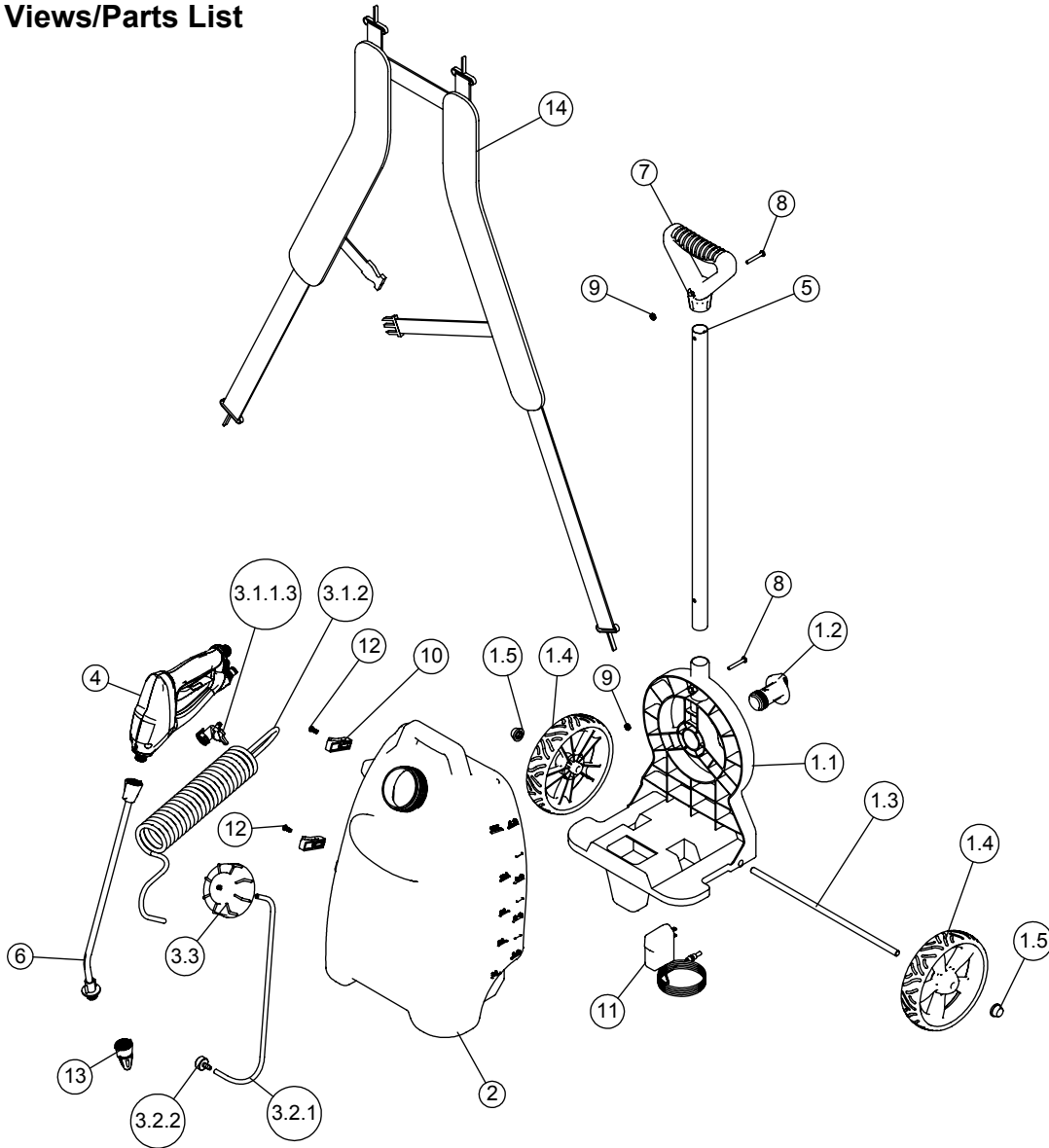


Backpack Sprayer

To convert the sprayer to a Backpack Sprayer, turn the tank retaining bolt counter clockwise until the tank is loose. The tank retaining bolt will remain attached to the base. When the tank is removed from the base the backpack straps can be attached. The upper clip should be attached to the Top Backpack Attachment Location. The lower clip should be attached to the Lower Backpack Attachment location. Works best for long distance spraying on rough terrain or steep inclines.



Exploded Views/Parts List



Item No	Qty.	Part Number	Description	Item No	Qty.	Part Number	Description
1	1	5278232	4 GAL BASE ASSEMBLY	3.1.1.4	1	5143449	O-RING 5/16 ID X 7/16 OD (AS568-011)
1.1	1	5029102	4 GAL BASE (Injection Mold)	3.1.1.5	2	5143450	O-RING 3/16 ID X 5/16 OD (AS568-008)
1.2	1	5034790	TANK RETAINING BOLT	3.1.2	1	5020559	COILED HANDGUN HOSE (SMS)
1.3	1	5024134	AXLE 3/8" X 13 3/16"	3.2	1	5278236	PICK-UP HOSE ASSEMBLY
1.4	2	5021126	6.75" WHEEL 3/8" AXLE	3.2.1	1	5020560	PICK UP HOSE
1.5	2	5046442	PLASTIC AXLE CAP	3.2.2	1	5116449	STRAINER WEIGHT
2	1	5169322	LG-4-3-1 TANK	3.3	1	5046443	3 IN HOSE BARB LID
3	1	5278233	HANDGUN HOSE ASSEMBLY	4	1	5163127	HANDGUN 3.6V LITHIUM GEAR PUMP
3.1	1	5278235	COILED HOSE ASSEMBLY	5	1	5100818	HANDLE TUBE
3.1.1	1	5143444	QUICK CONNECT SHUT OFF	6	1	5100819	REMOVABLE WAND
3.1.1.1	1	5143447	QUICK CONNECT SHUT OFF BODY	7	1	5078220	HANDLE
3.1.1.2	1	5143446	QUICK CONNECT LOCK	8	2	5117335	#10-24 X 1 3/8" LG MACHINE SCREW
3.1.1.3	1	5143448	SHUT OFF VALVE	9	2	5006387	#10-24 MACHINE HEX NUT
				10	2	5053096	SPRAY WAND CLIP
				11	1	5157239	3.6V CHARGER
				12	2	5117334	#10-24 x 1/2" MACHINE SCREW, PHILLIPS ROUND HEAD
				13	1	5278244	REMOVABLE NOZZLE ASSEMBLY
				14	1	5051150	BACK PACK STRAPS