

Instructions

▲ Keep this sheet for your records.

Instructions for the Sure Seal™ Torch

No. 85022

Forestry Suppliers Sure-Seal™
Double-Bottom Drip Torch

No. 85066

Forestry Suppliers Sure-Seal™
Red OSHA Drip Torch
Painted red to comply with OSHA
regulations (29 CFR 1910.114).
Also meets USDA Spec
Forestry Service Approved

Tech Support

800-430-5566

If you need more information or
would like advice from an experienced
professional, call our Technical Support
team.

Sales

800-647-5368

Our sales department will gladly fax you
an order form, update you on pricing, or
take your order over the phone.

Online

www.forestry-suppliers.com

For credit card and open account orders,
visit our web site to place your order.



Caution

Backfiring equipment should be used
by trained, experienced personnel only.
Precautions should be taken to prevent
danger to yourself and others. A means
of escape should always be located before
setting fires where rapid spread may
prove hazardous to yourself or others. All
petroleum products should be handled
with the same precautions as when working
with gasoline. Keep torch in good working
condition, make sure all connections
are tight, inspect on a regular basis and
replace any damaged parts with original
replacement parts only.

Instructions for use

1. Prepare Special Fuel Mixture by adding
kerosene to #1 diesel fuel.
 - Start with equal parts of each,
adjusting the mixture to a point
where the flame will be carried with
the fuel.
 - For better ignition, increase the
percentage of kerosene.
 - For sustained burning, increase the
percentage of diesel fuel.

**Do not use gasoline! Explosive vapors
may be released from these mixtures.
Handle mixtures accordingly.**

2. Prepare your drip torch for use by
removing the lockring and spout and fill
the tank with 5 quarts of fuel. Wipe off
any fuel that may have spilled onto the
outside surface of the tank or handle.
 - Remove the discharge spout sealing
plug and screw it into the blind
threaded socket.
 - Place the spout assembly on the
gasket in the mouth of the tank
with the spout exposed and screw
the lockring down securely. (Torch
should never be operated without the
gasket because it could cause some
fuel to leak onto the outside tank and

handle surfaces.)

- Unscrew the breather valve
counterclockwise just enough to
open, tip the torch forward, and let
fuel trickle onto the igniter.
- Light igniter. The torch is now ready
to be used.

**Tank should not be opened or filled
near an open flame, hot coals, sparks
or while smoking. The tank may contain
dangerous vapors!**

3. To operate, hold the torch to your side
pointing the igniter away from your
body.
 - Gradually tilt the torch forward
until the fuel pours over the burning
igniter casting a flame along the path
you are travelling.
 - To ignite hard to reach areas, snap
your wrist upward in order to throw
the fire greater distances. (If no flame
carries with discharged fuel, reduce
the flashpoint of fuel by increasing
the kerosene proportion of the
mixture.)

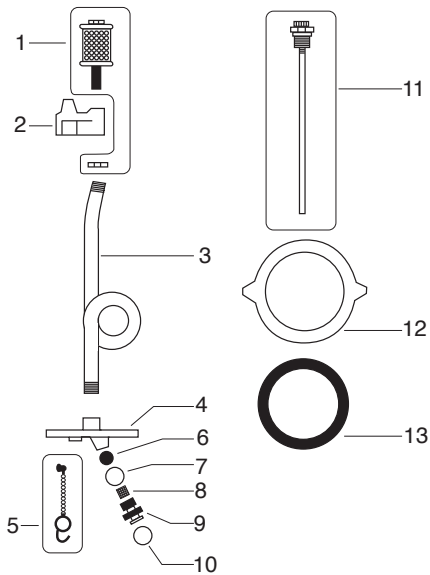
**Pay special attention to the direction of
flame travel when personnel are nearby!**

4. Prior to storage, stand the drip torch
upright until the igniter burns out and
cools off.
 - After the igniter cools, remove the
lockring, return the spout to the
inside of the tank and replace the
lockring securely.
 - Unscrew the discharge sealing plug
from the blind threaded socket
and return it securely to the spout
opening.
 - Turn the air breather valve clockwise
to close it.

**Carry and store your torch with the
same care you would give any fuel tank.**

See back for replacement parts.

Sure Seal™ Torch Replacement Parts



Ref#	Description	Sure Seal #
1	Igniter Assembly	85064
2	Nozzle/Igniter Mount	85063
3	Spout with Fuel Trap	85059
4	Tank Cover only	85053
5	Chain Assembly	85058
6	Check Valve Ball	85054
7	Check Valve Seat	85055
8	Check Valve Screen	85056
9	Discharge Plug	85057
10	O-Ring for Discharge Plug	85065
11	Breather Valve Assembly	85062
12	Lock Ring	85061
13	Collar Gasket	85060