

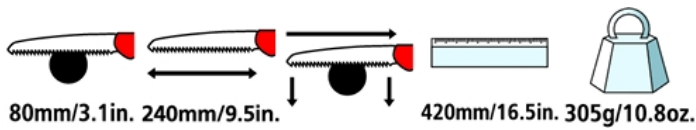
**FELCO 621 - Green**

Pull-stroke Pruning saw - Pull-stroke pruning saw - Blade 24 cm (9.5 in.)

Designed in Switzerland by FELCO, Made in South Korea, Guaranteed FELCO Quality, PATENT NO: US D500,656 S



NEW



- > **Reliable:** rust resistant chromed blade made of steel / impulse heat treatment of the teeth / clean, precise cut / parts can be replaced
- > **Efficient:** conical blade shape for an easy, non-clogging cut / the set and shape of the teeth prevents sap build-up / maintenance free
- > **Ergonomic:** comfortable non-slip handle / sheath for right- or left-handers with detachable belt loop



## RECOMMENDED FOR

Our recommendation (★ = Recommended, ★★ = Strongly recommended, ★★★ = Best fit)

|                   |     |
|-------------------|-----|
| Viticulture       | ★★★ |
| Arboriculture     | ★★★ |
| Parks and Gardens | ★★★ |
| Small hand        | ★★★ |
| Medium hand       | ★★★ |
| Large hand        | ★★★ |
| Left-handed       | ★★★ |

---

## THE POINTS OF EXCELLENCE



### **Pull-stroke**

The pull-stroke technique reduces effort and eliminates the risk of the blade pig-tailing.



### **Anticorrosion**

Rust resistant chromed blade made of steel.



### **Cutting edge durability**

Teeth are submitted to the impulse treatment in order to increase the durability of the saw's cutting edge.



### **Teeth geometry**

The teeth geometry is particularly suited for cutting woodland. Improved clearance of metal shavings and a softer bite in order to avoid arm injuries/aches and pains.



### **Blade geometry**

The shape of the long blade guarantees optimal comfortable working conditions and reduces vibrations.



### **Ergonomics**

The ergonomic, non-slip handle provides good handling.



### **Sheath included**

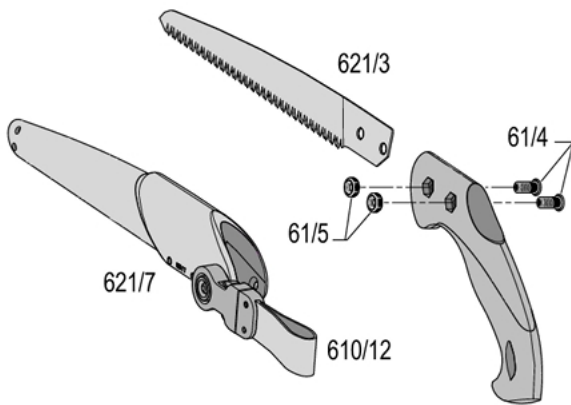
It is equipped with a detachable belt loop which allows you to wear the saw on the belt. Suited to both right-handers and left-handers.

## ACCESSORIES



FELCO 980  
Maintenance product  
Spray

## SPARE PARTS



| FELCO | REF.   | Designation | Composition | UCC Barcode     |
|-------|--------|-------------|-------------|-----------------|
|       | 621/3  | Blade       | 1x 621/3    | 7 83929 40112 6 |
|       | 61/4   | Screw       | 1x 61/4     | 7 83929 40227 7 |
|       | 61/5   | Nut         | 1x 61/5     | 7 83929 40228 4 |
|       | 610/12 | Flange      | 1x 610/12   | 7 83929 40229 1 |
|       | 621/7  | Holster     | 1x 621/7    | 7 83929 40233 8 |

## PARTS REPLACEMENT



### **Changing the blade**

If the tool is no longer cutting properly, it is advisable to change it.